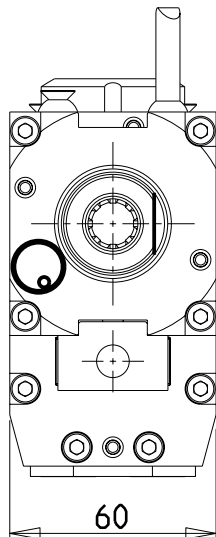
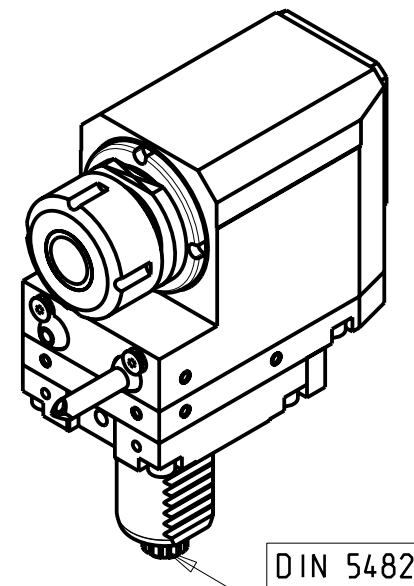
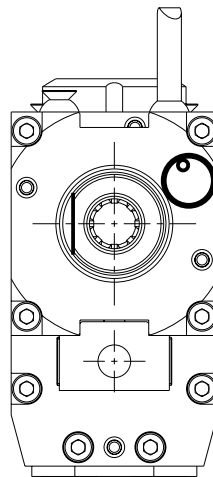


versione dx  
right version  
version rechts



versione sx  
left version  
version links

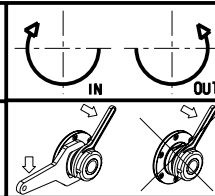


DIN 5482

| Cod. MT  |  | Mandrino<br>Spindle<br>Spindel | I   | RPM  | Lubrificazione int.<br>Coolant through<br>Innenkuehlung | Lubrificazione est.<br>Ext. coolant<br>Aussenkuehlung | A1    | A2   | B      | CHIAVI NON INCLUSE<br>Keys not included<br>Schluessel nicht einbegriffen |          |
|--|--|--------------------------------|-----|------|---|---|-------|------|--------|--|----------|
| versione dx<br>right version<br>version rechts | versione sx<br>left version<br>version links |                                |     |      |   |   |       |      |        | CHUB36   | CHSTER25 |
| SAU0200125                                     | SAU0201125                                   | ER25                           | 1:1 | 6000 |   | X   | 42.16 | 73.5 | CHUB36 | CHSTER25   | NEW      |
| SAU0200225                                     | SAU0201225                                   | ER25                           | 1:1 | 6000 | P=70bar   | X   | 42.16 | 83.5 | CHUB36 | CHSTER25   | NEW      |
| SAU0200325                                     | SAU0201325                                   | ERA25                          | 1:1 | 6000 |   | X   | 33.53 | 73.5 | CHUB40 | CHTAER25   | NEW      |
| SAU0200425                                     | SAU0201425                                   | ERA25                          | 1:1 | 6000 | P=70bar   | X   | 33.53 | 83.5 | CHUB40 | CHTAER25   | NEW      |
| SAU0200516                                     | SAU0201516                                   | WELDON16                       | 1:1 | 6000 |   | X   |       | 27.5 | -      | -  | NEW      |

SAUTER  
VDI 30

MODULO MOTORIZZATO RADIALE ARRETRATO VDI30 DIN 5482 H=75  
Radial rear-set driven tool VDI30 DIN 5482 H=75  
Radial angetriebenes Werkzeug VDI30 zurueckversetzt DIN 5482 H=75



**M.T. srl**

Via dei Tamerici 1/3  
Tel. 0541/956034-957884  
Fax 0541/956341

47842 S. GIOVANNI IN M. (RN)  
e-mail: mima@mtmarchetti.com  
http://www.mtmarchetti.com

PRODUZIONE MODULI ROTANTI



PAGINA SAU015-1-60