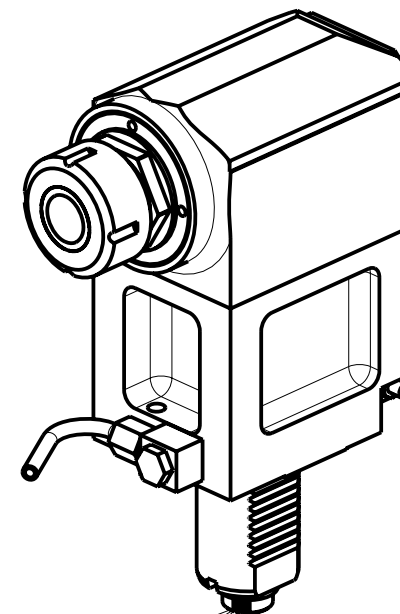
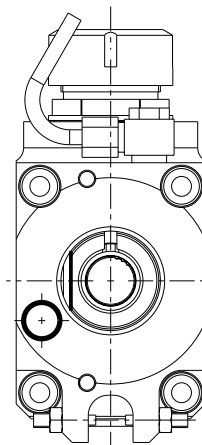
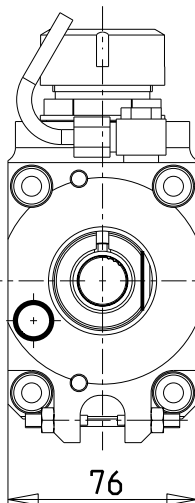


versione dx
right version
version rechts

versione sx
left version
version links



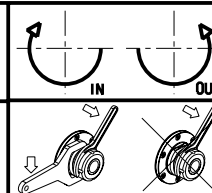
DIN 5480

Cod. MT		Mandrino Spindle Spindel	I	RPM	Lubrificazione int. Coolant through Innenkuehlung	Lubrificazione est. Ext. coolant Aussenkuehlung	A1	B	CHIAVI NON INCLUSE Keys not included Schluessel nicht einbegriffen	
versione dx right version version rechts	versione sx left version version links								CHUB41	CHSTER32
213SAU_R32_40D20	213SAU_R32_40D30	ER32	1:1	4000		X	-	58.5	CHUB41	CHSTER32
213SAU_R32_40D40	213SAU_R32_40D50	ER32	1:1	4000	P=70bar	X	-	82	CHUB41	CHSTER32
213SAU_R22_40D20	213SAU_R22_40D30	Ø22x19	1:1	4000		X	78.5	58.5	CHUB41	CH_VTCROCE_M10 •
213SAU_R27_40D20	213SAU_R27_40D30	Ø27x21	1:1	4000		X	78.5	58.5	CHUB41	CH_VTCROCE_M12 •

- Chiave inclusa
- Key included
- Schluessel inbegriffen

SAUTER
VDI 40

MODULO MOTORIZZATO RADIALE INT. 130mm VDI40 DIN 5480
Radial driven tool VDI40 DIN 5480 130mm interaxis
Radial angetriebenes Werkzeug VDI40 Int. 130mm DIN 5480



M.T. srl

Via dei Tamerici 1/3
Tel. 0541/956034-957884
Fax 0541/956341
47842 S. GIOVANNI IN M. (RN)
e-mail: mima@mtmarchetti.com
http://www.mtmarchetti.com

PRODUZIONE MODULI ROTANTI



PAGINA SAU018-2-20