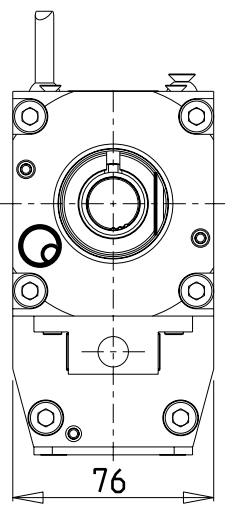
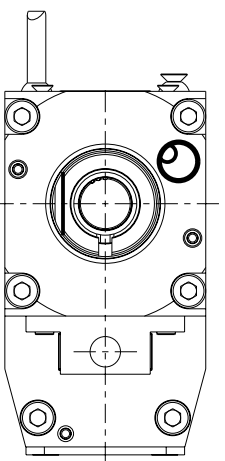


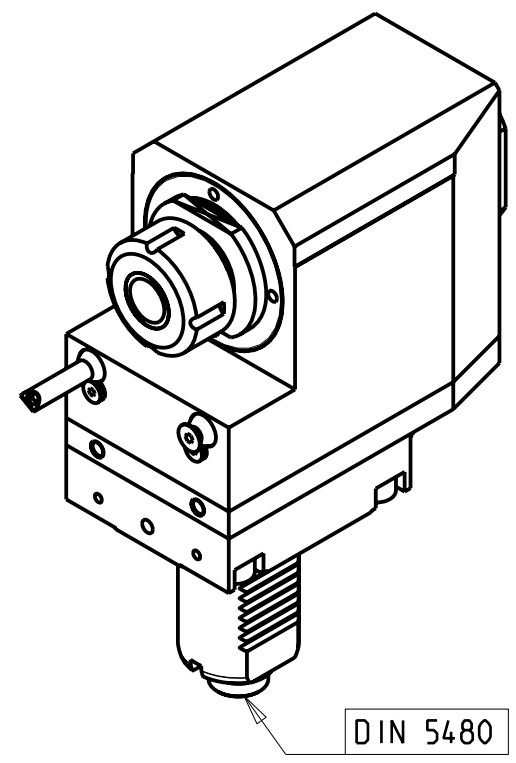
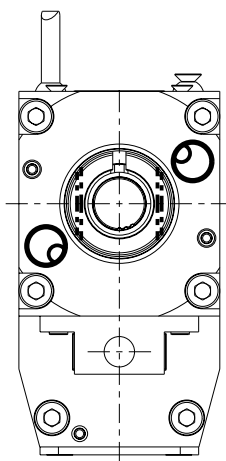
versione dx  
right version  
version rechts



versione sx  
left version  
version links



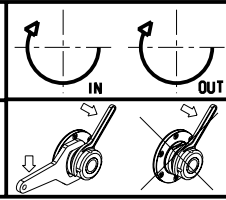
versione universale  
universal version  
universal version



Cod. MT			Mandrino Spindel Spindel	I	RPM	Lubrificazione int. Coolant through Innenkuehlung	Lubrificazione est. Ext. coolant Aussenkuehlung	A	B	CHIAVI NON INCLUSE Keys not included Schlüssel nicht einbegriffen		
versione dx right version version rechts	versione sx left version version links	versione universale universal version universal version								CHUB42	CHSTER25	
SAU0150125	SAU0151125	SAU0152125	ER25	1:1	4000		X	42.66	95	CHUB42	CHSTER25	NEW
SAU0150225	SAU0151225	SAU0152225	ER25	1:1	4000	P=70bar	X	42.66	108.5	CHUB42	CHSTER25	NEW
SAU0150132	SAU0151132	SAU0152132	ER32	1:1	4000		X	45.66	95	CHUB42	CHSTER32	NEW
SAU0150232	SAU0151232	SAU0152232	ER32	1:1	4000	P=70bar	X	45.66	108.5	CHUB42	CHSTER32	NEW

SAUTER  
VDI 40

MODULO MOTORIZZATO RADIALE ARRETRATO VDI40 DIN 5480 H=100  
Radial rear-set driven tool VDI40 DIN 5480 H=100  
Radial angetriebenes Werkzeug VDI40 zurueckversetzt DIN 5480 H=100



**M.T. srl**  
Via dei Tamerici 1/3  
Tel. 0541/956034-957884  
Fax 0541/956341  
47842 S. GIOVANNI IN M. (RN)  
e-mail: mima@mtmarchetti.com  
http://www.mtmarchetti.com

PRODUZIONE MODULI ROTANTI

PAGINA SAU018-2-70