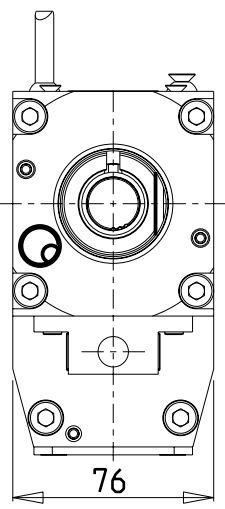
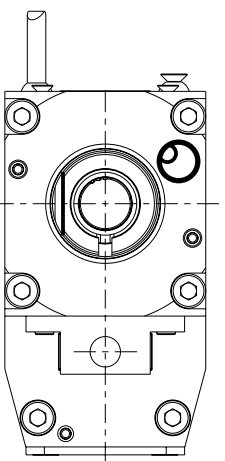


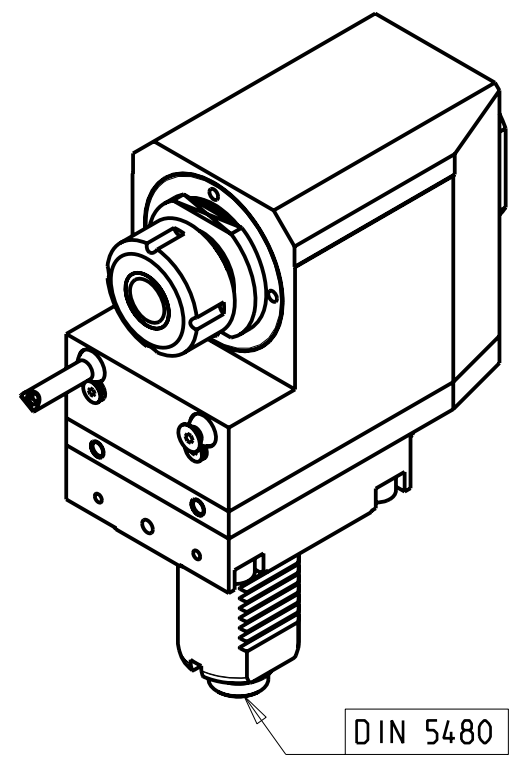
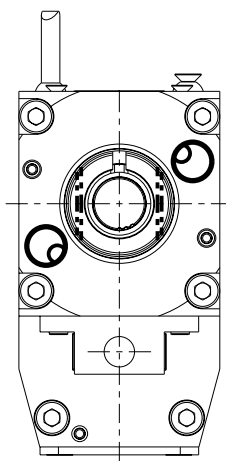
versione dx
right version
version rechts



versione sx
left version
version links



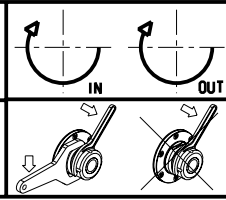
versione universale
universal version
universal version



Cod. MT			Mandrino Spindle Spindel	I	RPM	Lubrificazione int. Coolant through Innenkuehlung	Lubrificazione est. Ext. coolant Aussenkuehlung	A	B	CHIAVI NON INCLUSE Keys not included Schluessel nicht einbegriffen		
versione dx right version version rechts	versione sx left version version links	versione universale universal version universal version								CHUB42	CHSTER25	
SAU0150325	SAU0151325	SAU0152325	ER25	2:1	2000		X	42.66	95	CHUB42	CHSTER25	NEW
SAU0150425	SAU0151425	SAU0152425	ER25	2:1	2000	P=70bar	X	42.66	108.5	CHUB42	CHSTER25	NEW
SAU0150332	SAU0151332	SAU0152332	ER32	2:1	2000		X	45.66	95	CHUB42	CHSTER32	NEW
SAU0150432	SAU0151432	SAU0152432	ER32	2:1	2000	P=70bar	X	45.66	108.5	CHUB42	CHSTER32	NEW

SAUTER
VDI 40

MODULO MOTORIZZATO RADIALE ARRETRATO RIDOTTO I=2:1 VDI40 DIN 5480 H=100
Geared-down radial rear-set driven tool VDI40 DIN 5480 I=2:1 H=100
Radial angetriebenes Werkzeug VDI40 ausserachsig DIN 5480 untersetzt=2:1 H=100



M.T. srl
Via dei Tamerici 1/3
Tel. 0541/956034-957884
Fax 0541/956341
47842 S. GIOVANNI IN M. (RN)
e-mail: mima@mlmarchetti.com
http://www.mlmarchetti.com

PRODUZIONE MODULI ROTANTI

PAGINA SAU018-2-71