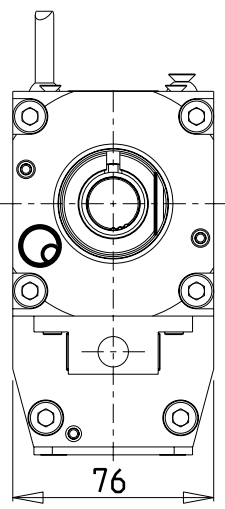
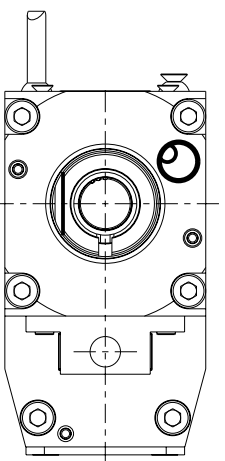


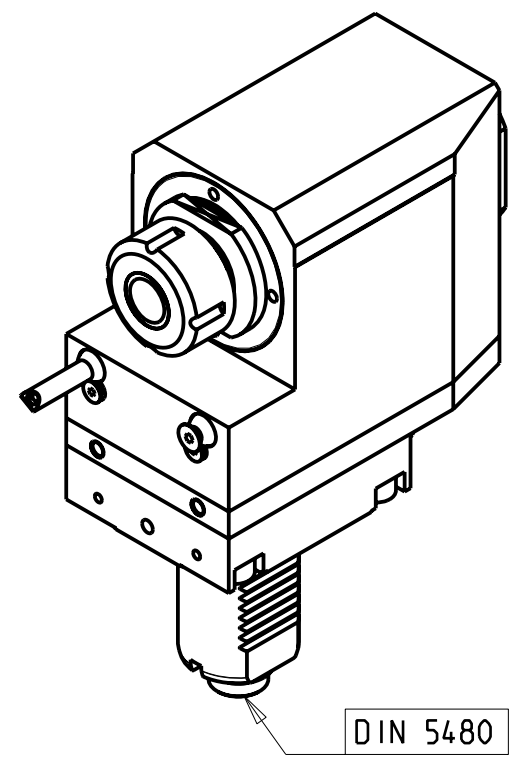
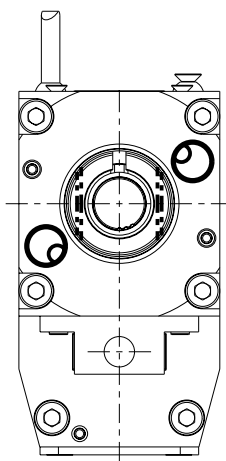
versione dx
right version
version rechts



versione sx
left version
version links



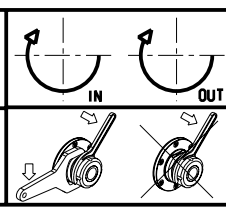
versione universale
universal version
universal version



Cod. MT			Mandrino Spindle Spindel	I	RPM	Lubrificazione int. Coolant through Innenkuehlung	Lubrificazione est. Ext. coolant Aussenkuehlung	A	B	CHIAVI NON INCLUSE Keys not included Schluessel nicht einbegriffen		
versione dx right version version rechts	versione sx left version version links	versione universale universal version universal version								CHUB42	CHSTER25	
SAU0150525	SAU0151525	SAU0152525	ER25	1:2	8000		X	42.66	95	CHUB42	CHSTER25	NEW
SAU0150625	SAU0151625	SAU0152625	ER25	1:2	8000	P=70bar	X	42.66	108.5	CHUB42	CHSTER25	NEW
SAU0150532	SAU0151532	SAU0152532	ER32	1:2	8000		X	45.66	95	CHUB42	CHSTER32	NEW
SAU0150632	SAU0151632	SAU0152632	ER32	1:2	8000	P=70bar	X	45.66	108.5	CHUB42	CHSTER32	NEW

SAUTER
VDI 40

MODULO MOTORIZZATO RADIALE ARRETRATO MOLTIPLICATO I=1:2 VDI40 DIN 5480 H=100
Geared-up radial rear-set driven tool VDI40 DIN 5480 I=1:2 H=100
Radial angetriebenes Werkzeug VDI40 ausserachsig DIN 5480 uebersetzt I=1:2 H=100



M.T. srl
Via dei Tamerici 1/3
Tel. 0541/956034-957884
Fax 0541/956341
47842 S. GIOVANNI IN M. (RN)
e-mail: mima@mtmarchetti.com
http://www.mtmarchetti.com

PRODUZIONE MODULI ROTANTI

PAGINA SAU018-2-72