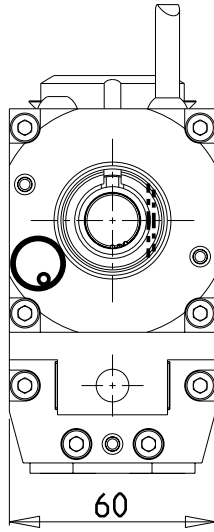
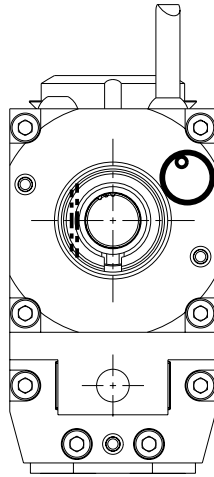


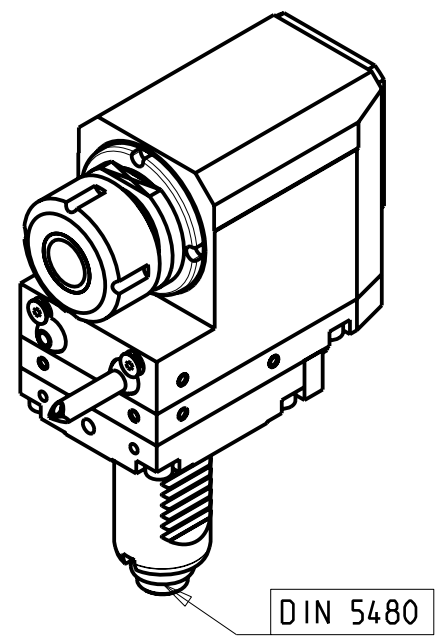
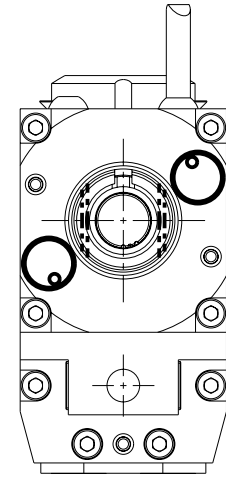
versione dx
right version
version rechts



versione sx
left version
version links



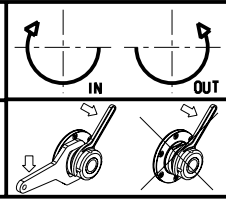
versione universale
universal version
universal version



Cod. MT			Mandrino Spindle Spindel	I	RPM	Lubrificazione int. Coolant through Innenkuehlung	Lubrificazione est. Ext. coolant Aussenkuehlung	A1	A2	B	CHIAVI NON INCLUDE Keys not included Schluessel nicht einbegriffen		
versione dx right version version rechts	versione sx left version version links	versione universale universal version universal version									CHUB36	CHSTER25	
SAU0090125	SAU0091125	SAU0092125	ER25	1:1	6000		X	42.16		73.5	CHUB36	CHSTER25	NEW
SAU0090225	SAU0091225	SAU0092225	ER25	1:1	6000	P=70bar	X	42.16		83.5	CHUB36	CHSTER25	NEW
SAU0090325	SAU0091325	SAU0092325	ERA25	1:1	6000		X	33.53		73.5	CHUB40	CHTAER25	NEW
SAU0090425	SAU0091425	SAU0092425	ERA25	1:1	6000	P=70bar	X	33.53		83.5	CHUB40	CHTAER25	NEW
SAU0090516	SAU0091516	SAU0092516	WELDON16	1:1	6000		X		27.5	73.5	-	-	NEW

SAUTER
VDI 30

MODULO MOTORIZZATO RADIALE ARRETRATO VDI30 DIN 5480 H=75
Radial rear-set driven tool VDI30 DIN 5480 H=75
Radial angetriebenes Werkzeug VDI30 zurueckversetzt DIN 5480 H=75



M.T. srl
Via dei Tamerici 1/3
Tel. 0541/956034-957884
Fax 0541/956341
47842 S. GIOVANNI IN M. (RN)
e-mail: mima@mtmarchetti.com
http://www.mtmarchetti.com

PRODUZIONE MODULI ROTANTI

PAGINA SAU018-1-60